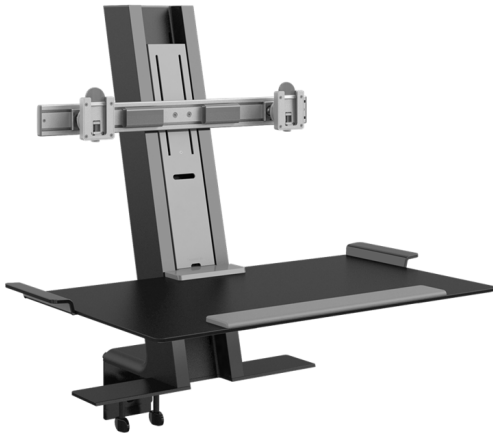


QuickStand

Model Number: QSBC30CNN

List Price (As of 03/17/22): €1,050.00 excludes VAT



FEATURES

- Adaptable to any fixed-height work surface
- Adjustable keyboard platform enables user to raise or lower work surface to desired height
- Provides ultimate stability while typing
- Available in single and dual monitor configurations and can support monitors up to 13.6kg (30lbs)
- Fully integrated cable management system
- Delivered with easy-to-install, pre-lengthened cables that are designed for durability and regular movement

SPECIFICATIONS

- Two USB 2.0 outlets for keyboard/mouse
- 460mm (18") of height adjustment plus an additional 5" (127 mm) of single/dual monitor display adjustment
- Cable harnesses are offered with four technology platforms: VGA, HDMI, DisplayPort, and DVI-D
- Available in three mount options:
 - Freestanding base
 - Small worksurface: Width 28" (712mm), Depth 17.5" (445mm)
 - Large work surface: Width 28" (712mm) Depth 28.5" (724mm)
 - Clamp
 - Can be adjusted to fit desks with a depth of 610 - 762 mm (24–30") and a thickness of 70mm (2.75")
 - Bolt-through Grommet
- Total product weight:
 - Freestanding base: 34kg (75 lbs.)
 - Other bases: 25.4 - 26.3 kg (56–58 lbs.)
- QuickStand can hold the following weights*:
 - Heavy mount (single monitor): 13.6kg (30 lbs.)
 - Light mount (single monitor): 5kg (11 lbs.)
 - Heavy mount with crossbar (for two monitors): 13.6kg (30 lbs.)
- 5 year, 24/7 warranty

VALUE ADDED TAX RATES

Austria	20.00%	Belgium	21.00%
Bulgaria	20.00%	Croatia	25.00%
Cyprus	19.00%	Czech Republic	21.00%
Denmark	25.00%	Estonia	20.00%
Finland	24.00%	France	20.00%
Germany	19.00%	Greece	24.00%
Hungary	27.00%	Ireland	23.00%
Italy	22.00%	Latvia	21.00%
Lithuania	21.00%	Luxembourg	17.00%
Malta	18.00%	Norway	25.00%
Poland	23.00%	Portugal	23.00%
Romania	19.00%	Slovakia	20.00%
Slovenia	22.00%	Spain	21.00%
Sweden	25.00%	Switzerland	7.70%
The Netherlands	21.00%		

CONFIGURATION DETAILS

CODE DESCRIPTION

QS	Quickstand
B	- Black
C	- Standard Crossbar (Two screens up to 13.6kg/30lbs. total / 24" wide)
30	- Large platform
C	- Clamp Mount
N	- No Cables
N	- No Cables

SUSTAINABILITY

Humanscale products are designed with a constant and genuine focus on their environmental impact at every stage of their development. For us, the best designs in the world achieve more with less, and sustainability is the natural result of this focus. QuickStand, like many of our products, is built with highly recyclable aluminium parts.

FIND OUT MORE

[Humanscale.com](https://www.humanscale.com)

To see all Humanscale Terms and Conditions, please visit:
www.humanscale.com/terms-conditions